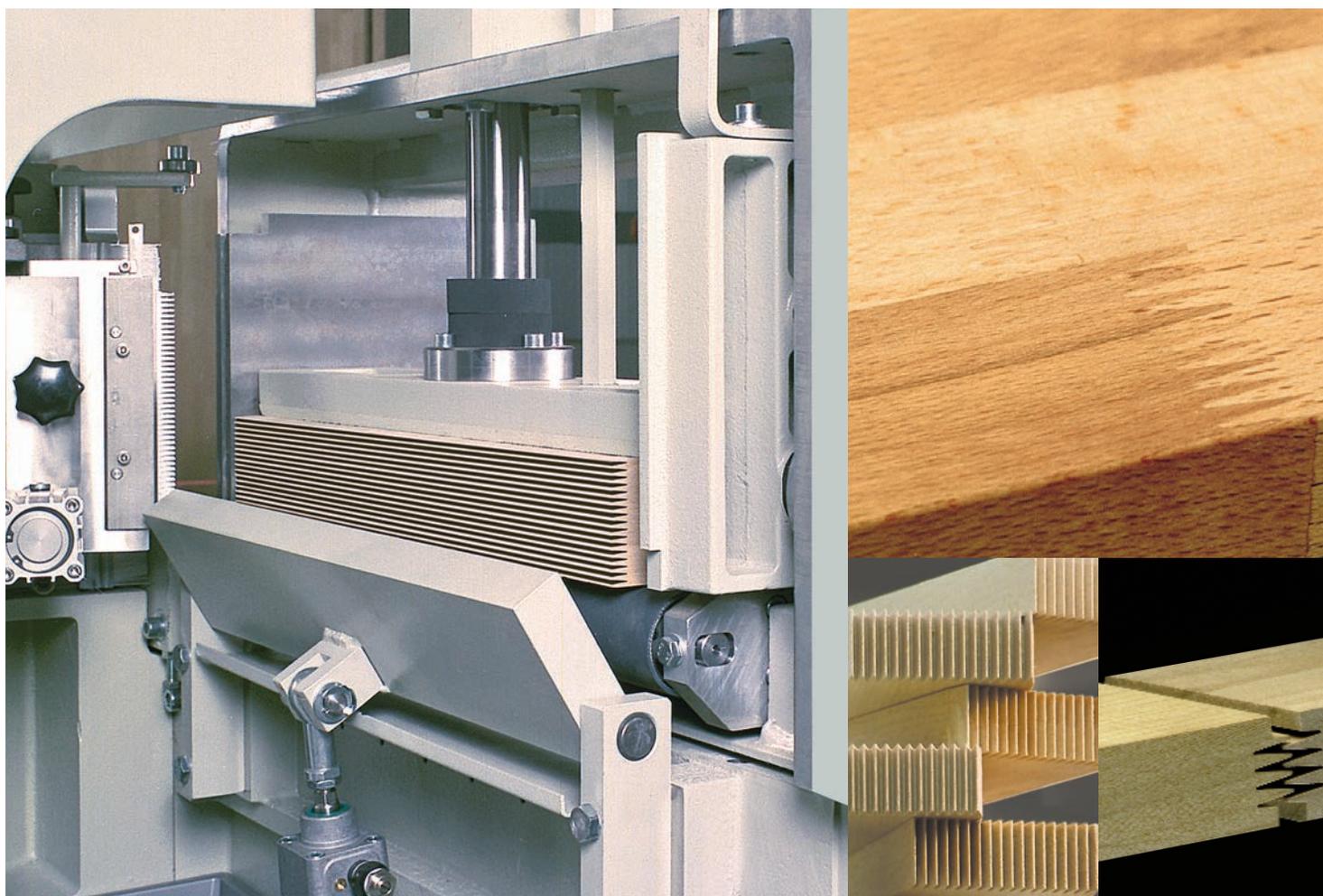


Finger Jointing Line ProfiJoint

The modular concept

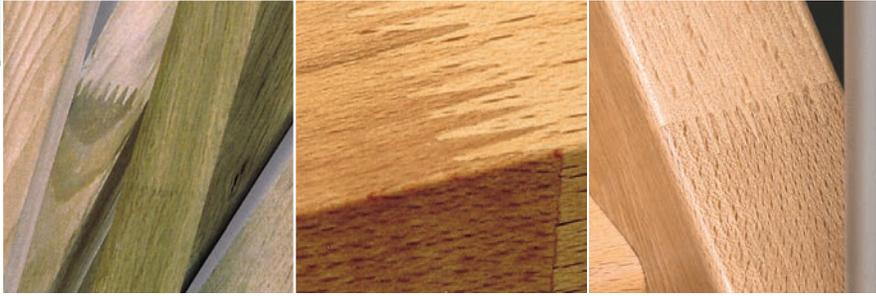


WEINIG GRECON finger jointing line ProfiJoint – High performance at low price

WEINIG GRECON is the leading manufacturer of innovative finger jointing lines. With the new ProfiJoint the economic use of residual timber is now possible also for smaller and medium-sized companies as well as all solid wood manufacturers.

Benefit from the advantages and make your decision in favour of the ProfiJoint – a clever investment which pays off quickly.





The newly developed starter model ProfiJoint can be extended up to the shaper combination by the modular system. Timber widths up to 150 mm (optional 170 mm), timber thicknesses up to 50 mm (on ProfiJoint Capacity 80 mm) and min. infeed lengths of 150 mm can be processed without any problems. The cast iron body reduces vibrations in the area in which a precise jointing is of importance. No matter whether joints shall be produced vertically or horizontally with scoring units; the product family of the ProfiJoint model is provided with the same tool technology as the high performance categories from WEINIG GRECON.



The ProfiJoint –

- Machine with completely new design.
- Package solution consisting of shaper, with automatic glue application, transfer station and press.
- Including scoring unit; axial adjustment in the range of 1/100 mm (hogger as option).
- High-performance cutter with a cutting table of a width of 500 mm on which the timber can be located in packages for horizontal or vertical processing.
- Finger length: 4 – 15 mm
- Proven, maintenance-free Weinig cutter spindle; axial adjustment in the range of 1/100 mm.
- Automatic spindle stroke for a mismatch-free finished product.
- Automatic application of PVAC or PU glue, exact dosage and an easy cleaning by the Flankenjet system.
- Profiled and glued timbers are transported separately to the press and pressed in the required lengths
- Easy to install, quickly serviceable.
- Simple operation and standard technique easy to maintain.

WEINIG GRECON finger jointing line ProfiJoint – Large performance potential for starters

ProfiJoint

consisting of:

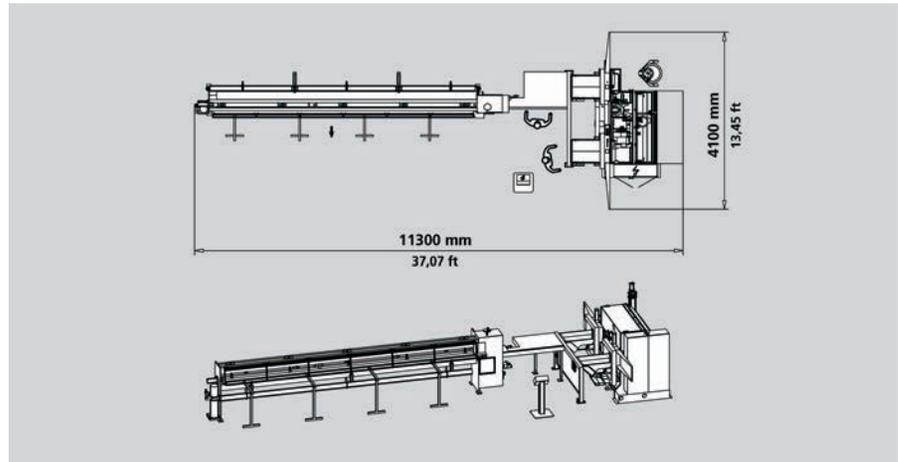
**Finger jointing shaper ProfiJoint,
manual transfer station
and one-channel press**

Output:

Shaper: 2 packages / min

Transfer station: 30 pcs. / min

Press: 2 cycles / min



ProfiJoint Comfort

consisting of:

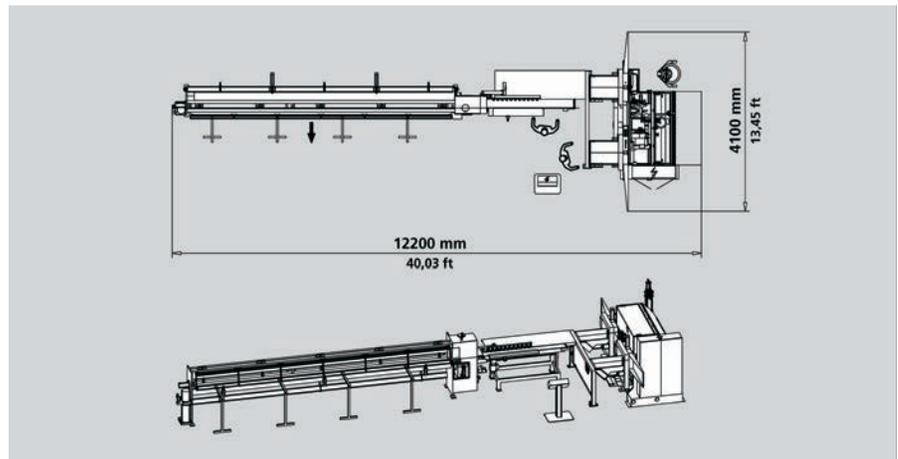
**Finger jointing shaper ProfiJoint,
semi-automatic transfer station
and one-channel press**

Output:

Shaper: 2 packages / min

Transfer station: 35 pcs. / min

Press: 2 cycles / min



ProfiJoint Capacity

consisting of:

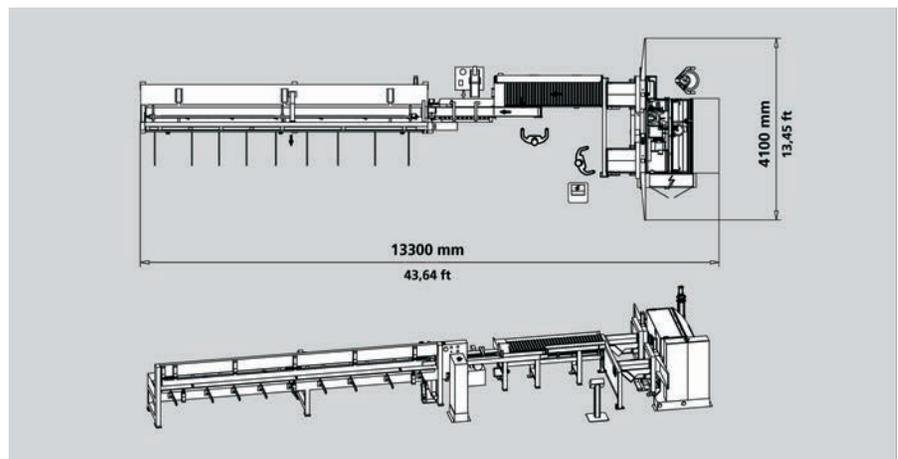
**Finger jointing shaper ProfiJoint
semi-automatic transfer station
and two-channel press**

Output:

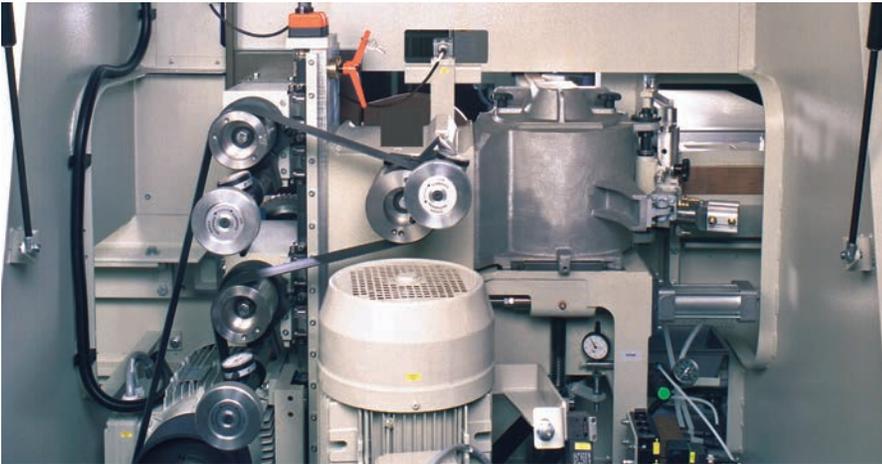
Shaper: 2 packages / min

Transfer station: 40 pcs. / min

Press: 4 cycles / min

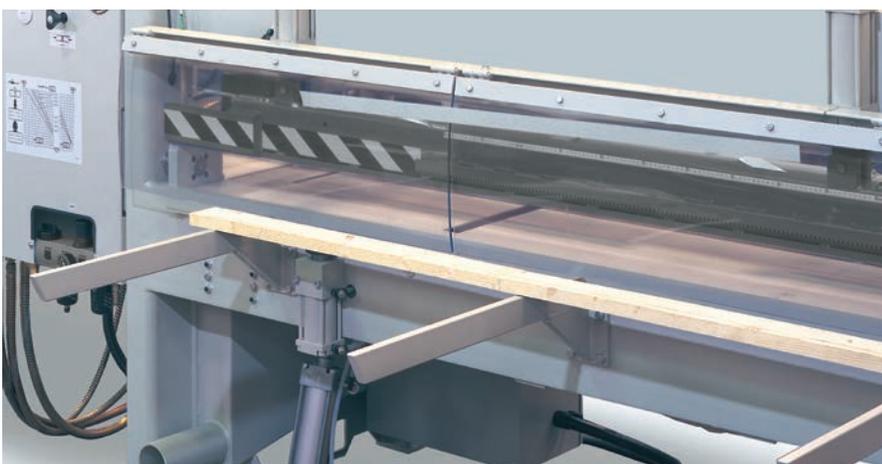


Optimised processing aggregates for exact finger jointing



An excellent tool standard

with scoring saws from the top and the bottom, the hogger and finger cutters form the basis for the production of exact finger joint profiles. The scoring saws are synchronised and thus avoid tear-outs. The indirect drive ensures high performance reserves and a vibration-free processing of short pieces. Only by this method an absolutely tight joint of wood can be generated.



WEINIG GRECON automation modules offer an enormous performance potential:

- Fully-automatic feeding to use the highest capacity of the line
- Semi-automatic and fully-automatic transfer from the shaper to the press
- one- or two-channel presses

WEINIG GRECON finger jointing line ProfiJoint combination – The highest extension level

By a combination of 2 shapers, the performance is doubled. The cutting process is carried out completely automatically on both sides. The 2-shaper system facilitates the production of special profiles. The ProfiJoint single shaper can be upgraded anytime to a ProfiJoint Combination and is thus customised to your performance requirements.



This line ensures a uniform, precise cutting pattern all over the entire package width by frequency-controlled cutting table motors with high infeed power.

The ProfiJoint combination:

- Vibrating alignment stopper
- Package monitoring by means of laser sensor technology.
- Option for automatic transfer station with length measurement and automatic press.
- Pre-selectable intermediate cuts at the final product.
- Quick height adjustment of the tensioning stroke at the cutting table.
- Splinter protection.
- Suction connections provided on the bottom of the shaperside.
- Incl. protection equipment in the cutting area.

WEINIG GRECON finger jointing line ProfiJoint combination – Convincing technique

Only the intertwining of all automation modules by control technique on highest levels makes permanent and continuous outputs without interruptions possible.

WEINIG GRECON experts develop solutions for your specific requirements from proven, reliable elements.

ProfiJoint Combination

consisting of:

**ProfiJoint shaper combination,
semi-automatic transfer station and
two-channel press**

Output:

Shaper: 4 packages / min

Transfer station: 60 pcs. / min

Press: 4 cycles / min

ProfiJoint Combination Capacity

consisting of:

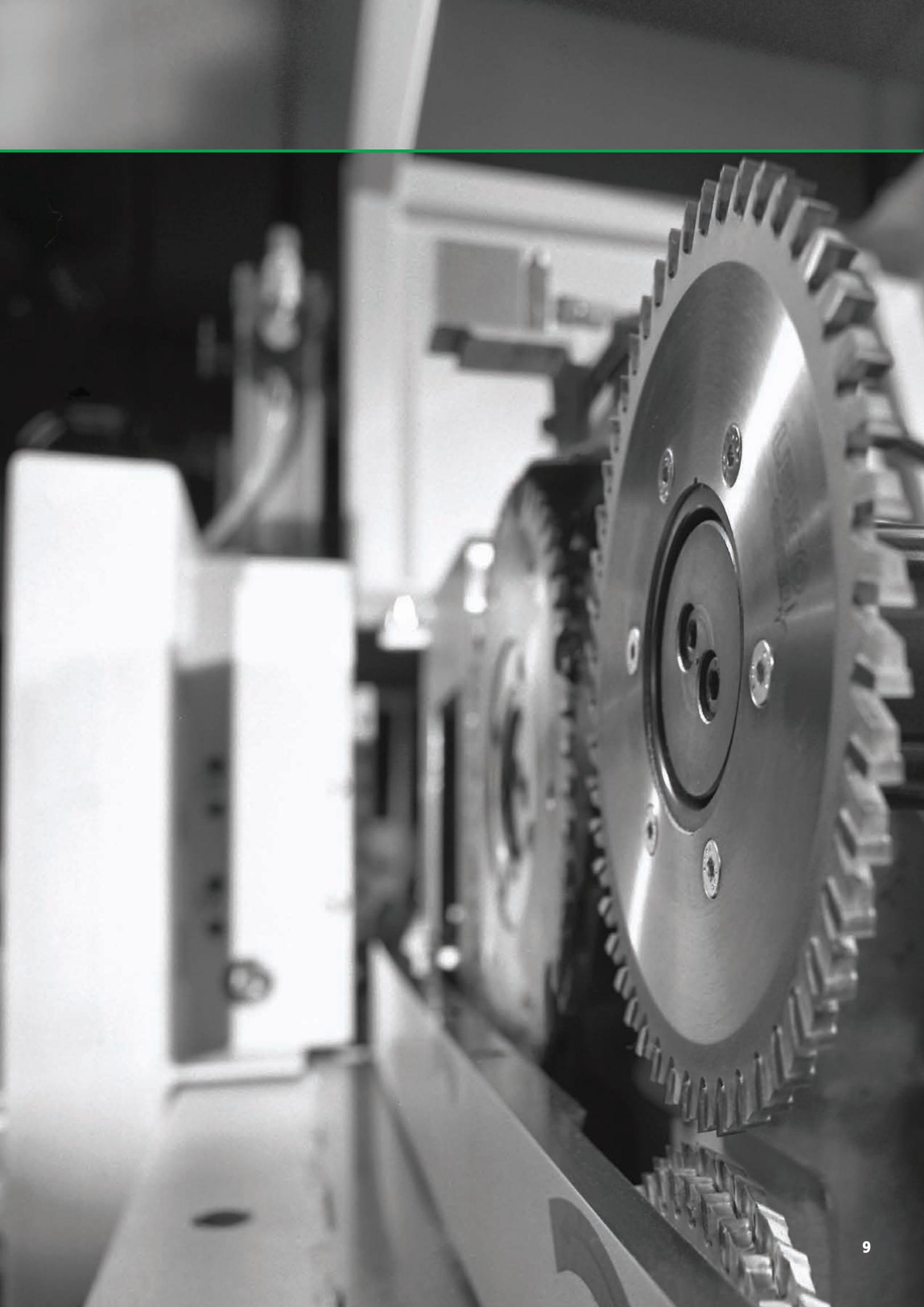
**ProfiJoint shaper combination,
fully-automatic transfer station and
two-channel press**

Output:

Shaper: 4 packages / min

Transfer station: 100 pcs. / min

Press: 6 cycles / min



WEINIG GRECON finger jointing line ProfiJoint – Modular design: from manual to fully-automatic systems

By the modular design of a finger jointing line you have the possibility to determine the degree of automation yourself. No matter whether you wish to operate a manual, a semi-automatic (including separating magazine) or a fully-automatic line: Depending on the requirements WEINIG GRECON recommends the right degree of automation.

Synoptic table for finger jointing lines – Standards and options

The matrix shows the significant features of difference between the single models. Your WEINIG GRECON expert provides you any information taking into consideration your individual needs, as for example for Ultra, CombiPact, Turbo, HS 120/200.

	ProfiJoint	ProfiJoint Combination
Infeed length	150 – 700 mm	150 – 900 mm
Timber width	40 – 150 mm (170 mm)	40 – 150 mm (170 mm)
Timber thickness	18 – 50 (80) mm	18 – 80 mm
Outfeed length	3.000 – 6.100 mm	3.000 – 6.100 mm
Thrust force	105 (120) kN	120 kN
Timber cross section at a finger length of 10/11 mm (softwood)	75 cm ² (120 cm ²)	120 cm ²
Timber cross section at a finger length of 10/11 mm (hardwood)	75 cm ² (90 cm ²)	90 cm ²
Capacity (vertical jointing) with 30 x 90 x 400 mm	12,2 – 12,8 m/min	24,4 m/min
Capacity (horizontal jointing) with 22 x 50 x 350 mm	5,04 m/min	10,08 m/min
Feeding system	Feeding conveyor	Feeding conveyor
Shaper types	Package single shaper	Package shaper combination
Transfer	manual/semi-automatic	semi-automatic/automatic
Press	One-channel press / two-c p	Two-channel press
Production statistics	—	○
Diagnosis system	—	○
Multiple lengths	—	○
Intermediate cuts	0 (5)	5 (∞)
Timber tear-out prevention (scoring unit at the bottom)	○	○
Timber thickness min. 16 mm	—	—
Timber thickness max. 72 mm	—	—
Timber thickness max. 100 mm	—	—
Timber width min. 30 mm	○	○
Vibrating alignment stop	○	○
Package control	○	○
Quality inspection	—	—
Splinter protection	●	●
Glue application system FlankenJet	●	●
Communication (teleservice)	—	○
Capacity reserve cutter spindle drive	○	○
Frequency controlled advance	●	●
Servo-controlled advance	—	—
Power shaper	15 (22) kW	15 (22) kW
Power hogger (+ scoring unit)	5,5 (11,5) kW	5,5 (11,5) kW

Technical modifications reserved. Information and figures in this brochure also include special equipment which is not part of the standard scope of supply. Protection covers partially removed for the photos. For additional products regarding finger jointing see special brochure.

● Standard ○ Option

Finger Jointing Line ProfiJoint



Product Unit Jointing Technology

WEINIG GRECON GMBH & CO. KG

Hannoversche Strasse 58
D-31061 Alfeld / Hannover
Germany

Phone +49 (0)51 81 / 9 39-0
Fax +49 (0)51 81 / 9 39-2 25
E-Mail info-jointing@weinig.com
Internet www.weinig.com