
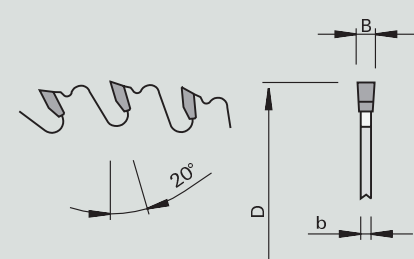




HW

ZFL

Trimming Saw Blades HW - flat tooth

| Product   | Drawing  | Machine   | Application   | Design                   |
|---|--|---|---|--------------------------|
|  |  |  |  | 2-0-6<br>HW<br>TC10<br>F |

| Machine / Application   | Design   | Advantages   | Notes  |
|---|--|--|--|
| <ul style="list-style-type: none"> <li>• table saws</li> <li>• special machines</li> <li>• for sizing cuts in solid woods</li> <li>• especially for knotty woods</li> </ul> | <ul style="list-style-type: none"> <li>• tooth configuration: flat "F"</li> <li>• cutting material: HW TC10</li> </ul> | <ul style="list-style-type: none"> <li>• no chipped edges from knots thanks to chip limiter</li> </ul> | <ul style="list-style-type: none"> <li>• larger bore (max. Ø 50 mm) available for a surcharge</li> </ul> |

| Product features |        |        |          |    |                       |                |          | Order information |                     |  |
|------------------|--------|--------|----------|----|-----------------------|----------------|----------|-------------------|---------------------|--|
| Ø D [mm]         | B [mm] | b [mm] | Ø d [mm] | Z  | Cutting quality* NL** | Hook angle [°] | PU [pc.] | L                 | Order-No.           |  |
| 250              | 3,2    | 2,2    | 30       | 18 | ▲                     | Combi3         | 20       | 1                 | 58104050            |  |
| 270              | 3,0    | 2,0    | 30       | 18 | ▲                     | Combi3         | 20       | 1                 | o 58114170          |  |
| 300              | 3,2    | 2,2    | 30       | 14 | ▲                     | Combi3         | 20       | 1                 | # 58104006          |  |
| 315              | 3,2    | 2,2    | 30       | 14 | ▲                     | Combi3         | 20       | 1                 | 58104055 <b>NEW</b> |  |
| 350              | 3,5    | 2,5    | 30       | 16 | ▲                     | Combi3         | 20       | 1                 | 58104015            |  |
| 350              | 3,5    | 2,5    | 30       | 24 | ▲                     | Combi3         | 20       | 1                 | 58104041            |  |
| 400              | 3,5    | 2,5    | 30       | 18 | ▲                     | Combi3         | 20       | 1                 | 58104021            |  |
| 450              | 3,8    | 2,8    | 30       | 32 | ▲                     | Combi3         | 20       | 1                 | 58104051            |  |
| 500              | 3,8    | 2,8    | 30       | 36 | ▲                     | Combi3         | 20       | 1                 | 58104052            |  |
| 550              | 4,6    | 3,2    | 30       | 32 | ▲                     | Combi3         | 20       | 1                 | 58104054            |  |
| 600              | 4,2    | 3,2    | 30       | 40 | ▲                     | Combi3         | 20       | 1                 | 58104048            |  |
| 700              | 4,2    | 3,2    | 30       | 46 | ▲                     | Combi3         | 20       | 1                 | 58104049            |  |
| 700              | 6,0    | 4,5    | 30       | 42 | ▲                     |                | 20       | AMR 1             | 58104053            |  |

\* cutting quality: ▲ very rough cut ▲▲ rough cut, ▲▲▲ fine cut ▲▲▲▲ very fine cut

\*\* pin holes: Combi1 matches 2/10/60 and 2/7/42 Combi3 matches 2/10/60 and 2/9/46 and 2/9,5/46,5 and 2/7/42

For suitable reducing rings see chapter CONSTRUCTION/Saws/Reducing Rings