
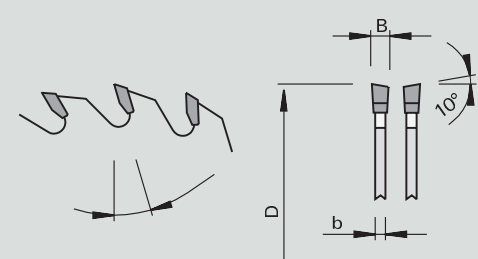






HW

ZQW

Trimming Saw Blades HW - alternate bevel tooth

Product	Drawing	Machine	Application	Design
		 	 	WS 2-0-6 HW TC06 HW TC10

Machine / Application	Design	Advantages	Notes
<ul style="list-style-type: none"> • table saws • special machines • for sizing cuts in solid woods 	<ul style="list-style-type: none"> • tooth configuration: alternate top bevel "WS" • cutting material: HW TC10/HW TC06 	<ul style="list-style-type: none"> • optimum cutting quality, feed rate and adjustment for material thickness thanks to various numbers of teeth 	<ul style="list-style-type: none"> • larger bore (max. Ø 50 mm) available for a surcharge

Product features								Order information		
Ø D [mm]	B [mm]	b [mm]	Ø d [mm]	Z	Cutting quality* NL**	Hook angle [°]	PU [pc.]	L	Order-No.	
150	3,2	2,2	30	24	▲	2/7/42	15	1	58100096	
180	3,2	2,2	30	30	▲▲	2/7/42	15	1	58100016	
200	3,2	2,2	30	34	▲▲	2/7/42	15	1	58100017	
235	2,8	1,8	30	18	▲	2/7/42	20	1	50110256	
235	2,8	1,8	30	24	▲▲	2/7/42	15	1	50110170	
235	3,2	2,2	30	24	▲	Combi3	10	1	58100191	
240	2,8	1,8	30	24	▲▲	2/7/42	20	1	50110174	
250	2,8	1,8	30	40	▲▲	Combi3	15	1 #	58120020	
250	3,2	2,2	30	24	▲▲	Combi3	20	1	58120060	
250	3,2	2,2	30	30	▲▲	Combi3	20	1	58120061	
260	3,2	2,2	30	32	▲▲	Combi3	20	1	58110185	
270	3,2	2,2	30	24	▲▲	Combi3	20	1	58110176	
300	3,2	2,2	30	24	▲	Combi3	20	1	58120002	
300	3,2	2,2	30	36	▲	Combi3	20	1	58120013	
315	3,2	2,2	30	28	▲	Combi3	20	1	58120062	
315	3,2	2,2	30	36	▲	Combi3	20	1	58100255	
330	3,2	2,2	30	24	▲	Combi3	25	1	58120018	
335	3,2	2,2	30	36	▲	Combi3	20	1	58120063	
350	3,5	2,5	30	24	▲	Combi3	20	1	58120005	
350	3,5	2,5	30	32	▲▲	Combi3	20	1	58100011	
350	3,5	2,5	30	36	▲	Combi3	20	1	58120014	
350	3,5	2,5	30	42	▲	Combi3	20	1	58120015	
400	3,5	2,5	30	28	▲	Combi3	20	1	58100005	
400	3,5	2,5	30	32	▲	Combi3	20	1	58120008	
400	3,5	2,5	30	36	▲▲	Combi3	20	1	58100012	
400	3,5	2,5	30	48	▲▲	Combi3	20	1	58120017	
410	3,8	2,8	30	28	▲	Combi3	20	1	58120019	
450	3,8	2,8	30	40	▲▲	Combi3	20	1	58100013	
500	3,8	2,8	30	44	▲▲	Combi3	20	1	58100014	

* cutting quality: ▲ very rough cut ▲▲ rough cut, ▲▲▲ fine cut ▲▲▲▲ very fine cut

** pin holes: Combi1 matches 2/10/60 and 2/7/42 Combi3 matches 2/10/60 and 2/9/46 and 2/9,5/46,5 and 2/7/42

For suitable reducing rings see chapter CONSTRUCTION/Saws/Reducing Rings