

HW

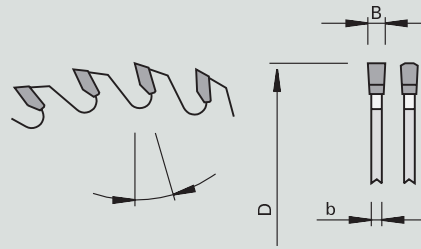
TRF

Sizing Saw Blades HW - triple chip / flat

Product



Drawing



Machine



Application



Design

TR-F
2-0-6
HW
TC06

Machine / Application

- portable saws
- table saws
- vertical panel sizing saws
- for sizing cuts in plastic-laminated panels

Design

- tooth configuration: triple chip / flat "TR-F"
- cutting material: HW TC06

Advantages

Notes

- larger bore (max. Ø 50 mm) available for a surcharge

Product features

Order information

Ø D [mm]	B [mm]	b [mm]	Ø d [mm]	Z	Cutting quality* NL**	Hook angle [°]	PU [pc.]	L	Order-No.
120	1,8	1,2	20	40	▲▲		1		58104063
160	2,2	1,6	20	48	▲▲	2/7/32	1		58110161
160	2,2	1,6	20	56	▲▲▲	2/7/32	1		58110142
190	2,2	1,6	30	56	▲▲▲		1		58458779
216	3,2	2,2	30	60	▲▲▲		1		58458780
220	3,2	2,2	30	64	▲▲▲	2/7/42	1		58100399
232	3,2	2,2	30	64	▲▲▲		1		58458781
250	3,2	2,2	30	60	▲▲	Combi3	1		58100385
250	3,2	2,2	30	80	▲▲▲	Combi3	1		58100386
300	3,2	2,2	30	72	▲▲	Combi3	1		58100387
300	3,2	2,2	30	96	▲▲▲	Combi3	1		58100388
350	3,5	2,5	30	72	▲▲	Combi3	1		58100300
350	3,5	2,5	30	108	▲▲▲	Combi3	1		58100389


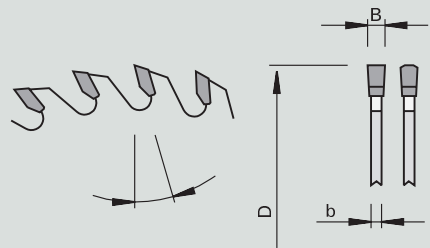



* cutting quality: ▲ very rough cut ▲▲ rough cut, ▲▲▲ fine cut ▲▲▲▲ very fine cut

** pin holes: Combi1 matches 2/10/60 and 2/7/42 Combi3 matches 2/10/60 and 2/9/46 and 2/9,5/46,5 and 2/7/42
For suitable reducing rings see chapter CONSTRUCTION/Saws/Reducing Rings

HW

TRF - 1

Sizing Saw Blades HW - triple chip / flat

Product	Drawing	Machine	Application	Design
		 		TR-F 3-0-1

Machine / Application	Design	Advantages	Notes
<ul style="list-style-type: none"> • table saws • vertical panel sizing saws • for sizing cuts in plastic-laminated panels 	<ul style="list-style-type: none"> • tooth configuration: triple chip / flat "TR-F" • cutting material: HW TC03 	<ul style="list-style-type: none"> • improved cutting quality thanks to optimized cutting geometry • noise-reduction thanks to laser ornaments 	<ul style="list-style-type: none"> • especially for plastic-laminated wood-based panels and high-pressure laminated boards

Product features								Order information		
Ø D [mm]	B [mm]	b [mm]	Ø d [mm]	Z	Cutting quality*	NL**	Hook angle [°]	PU [pc.]	L	Order-No.
315	3,2	2,2	30	96	▲▲▲	Combi3	5	1		58803823
300	3,2	2,2	30	96	▲▲▲	Combi3	5	1		58458788
350	3,5	2,5	30	72	▲▲	Combi3	10	1		58807830
350	3,5	2,5	30	108	▲▲▲	Combi3	10	1		58807831

* cutting quality: ▲ very rough cut ▲▲ rough cut, ▲▲▲ fine cut ▲▲▲▲ very fine cut

** pin holes: Combi1 matches 2/10/60 and 2/7/42 Combi3 matches 2/10/60 and 2/9/46 and 2/9,5/46,5 and 2/7/42

For suitable reducing rings see chapter CONSTRUCTION/Saws/Reducing Rings

HW

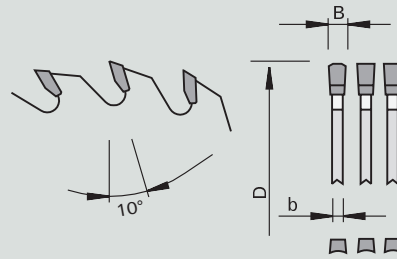
KDF - Industry Professionell

Sizing Saw Blades HW -triple chip / flat - flat / hollow-ground tooth

Product



Drawing



Machine



Application



Design



Machine / Application

- table saws
- vertical panel sizing saws
- for sizing cuts in raw and laminated panels

Design

- vibration and noise damping ornaments
- additional expansion slots
- tooth configuration: triple chip / flat - flat / hollow-ground tooth "TR-F-F DU"
- cutting material: HW TC03

Advantages

- extremely low-noise and smooth running thanks to vibration and noise damping ornaments as well as special expansion slot combinations
- good quality of bottom edge even without scoring saw blade
- optimum cutting quality thanks to innovative tooth group configuration

Notes

Product features

Product features					Order information						
Ø D [mm]	B [mm]	b [mm]	Ø d [mm]	Z	Cutting quality*	NL**	Hook angle [°]		PU [pc.]	L	Order-No.
303	3,2	2,2	30	60	▲▲▲▲	Combi3	10		1	#	58804356
303	3,5	2,5	30	60	▲▲▲▲	Combi3	10		1		58804282

* cutting quality: ▲ very rough cut ▲▲ rough cut, ▲▲▲ fine cut ▲▲▲▲ very fine cut

** pin holes: Combi1 matches 2/10/60 and 2/7/42 Combi3 matches 2/10/60 and 2/9/46 and 2/9,5/46,5 and 2/7/42

For suitable reducing rings see chapter CONSTRUCTION/Saws/Reducing Rings