

HW

RS2

Scoring Saw Blades HW - adjustable flat tooth

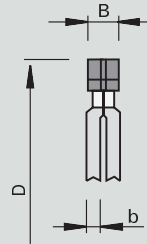
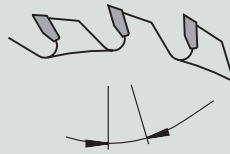
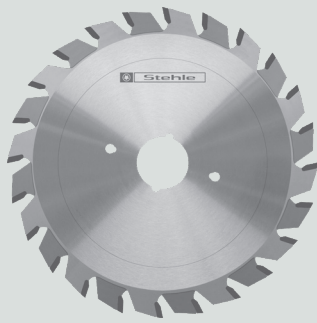
Product

Drawing

Machine

Application

Design



F
3-0-1
HW
TC03

Machine / Application

- table saws
- panel sizing saws
- panel sizing saw blades with controllable scoring device
- for scoring of plastic-laminated panels

Design

- tooth configuration: flat "F"
- cutting material: HW TC03

Advantages

- universally applicable

Notes

- split version - cutting width adjustable with spacers

Product features

Order information

Ø D [mm]	B [mm]	b [mm]	Ø d [mm]	Z	Cutting quality*	Hook angle [°]	PU [pc.]	L	Order-No.
70	2,8-3,6	2.2	20	2x8	▲▲▲▲	12	1	o	50445 100
80	2,8-3,6	2.2	20	2x10	▲▲▲▲	12	1		58802435
100	2,8-3,6	2.2	20	2x10	▲▲▲▲	12	1		58110190
100	2,8-3,6	2.2	22	2x10	▲▲▲▲	12	1		58110188
105	2,8-3,6	2.2	20	2x10	▲▲▲▲	12	1		58110171
120	2,8-3,6	2.2	20	2x12	▲▲▲▲	12	1		58110186
120	2,8-3,6	2.2	22	2x12	▲▲▲▲	12	1		58110187
125	2,8-3,6	2.2	20	2x12	▲▲▲▲	12	1		58110206
125	2,8-3,6	2.2	22	2x12	▲▲▲▲	12	1		58110204

* cutting quality: ▲ very rough cut ▲▲ rough cut, ▲▲▲ fine cut ▲▲▲▲ very fine cut

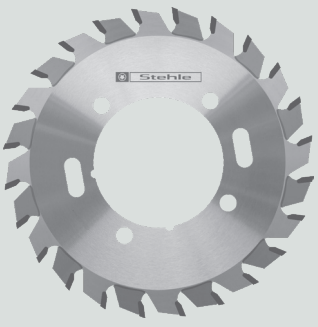
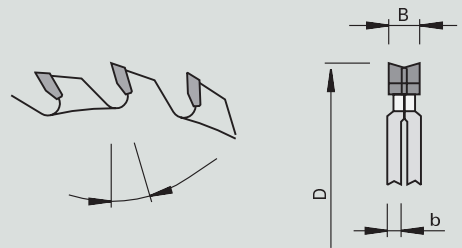



** pin holes: Combi1 matches 2/10/60 and 2/7/42 Combi3 matches 2/10/60 and 2/9/46 and 2/9,5/46,5 and 2/7/42

For suitable reducing rings see chapter CONSTRUCTION/Saws/Reducing Rings

HW

RSVS

Scoring Saw Blades HW - adjustable alternate bevel tooth

Product	Drawing	Machine	Application	Design
		 		WS ES 3-0-1 HW TC03

Machine / Application	Design	Advantages	Notes
<ul style="list-style-type: none"> table saws panel sizing saws panel sizing saw blades with controllable scoring device for scoring of plastic-laminated panels 	<ul style="list-style-type: none"> tooth configuration: up to Ø 140 mm alternate top bevel "WS" tooth configuration: up to Ø 160 mm top bevel "ES" cutting material: HW TC03 	<ul style="list-style-type: none"> low motor output thanks to tooth configuration "WS" 	<ul style="list-style-type: none"> split version - cutting width adjustable with spacers

Product features								Order information			
Ø D [mm]	B [mm]	b [mm]	Ø d [mm]	Z	Cutting quality*	Hook angle [°]		PU [pc.]	L	Order-No.	
120	2,8-3,8	2.2	50	2x12	▲▲▲▲	12	Altendorf, Martin	1		50807902	
120	2,8-3,8	2.2	22	2x12	▲▲▲▲	12	Martin NC adjustment unit	1		50807854	
140	2,8-3,8	2.0	36	2x12	▲▲▲▲	12	Martin T75 PreX	1		50807909	
160	2,8-3,6	2.2	20	2x16	▲▲▲▲	12	CSM	1	o	58807910	
Spare parts			Dimension [mm]						PU [pc.]	L	Order-No.
Countersunk Screws - with Torx			M5x6,8 T15				mounting screw for interior flange		10		180839
Countersunk Screws - with Torx			M5x10,8 T15				mounting screw for exterior flange		10		180840

* cutting quality: ▲ very rough cut ▲▲ rough cut, ▲▲▲ fine cut ▲▲▲▲ very fine cut

** pin holes: Combi1 matches 2/10/60 and 2/7/42 Combi3 matches 2/10/60 and 2/9/46 and 2/9,5/46,5 and 2/7/42

For suitable reducing rings see chapter CONSTRUCTION/Saws/Reducing Rings