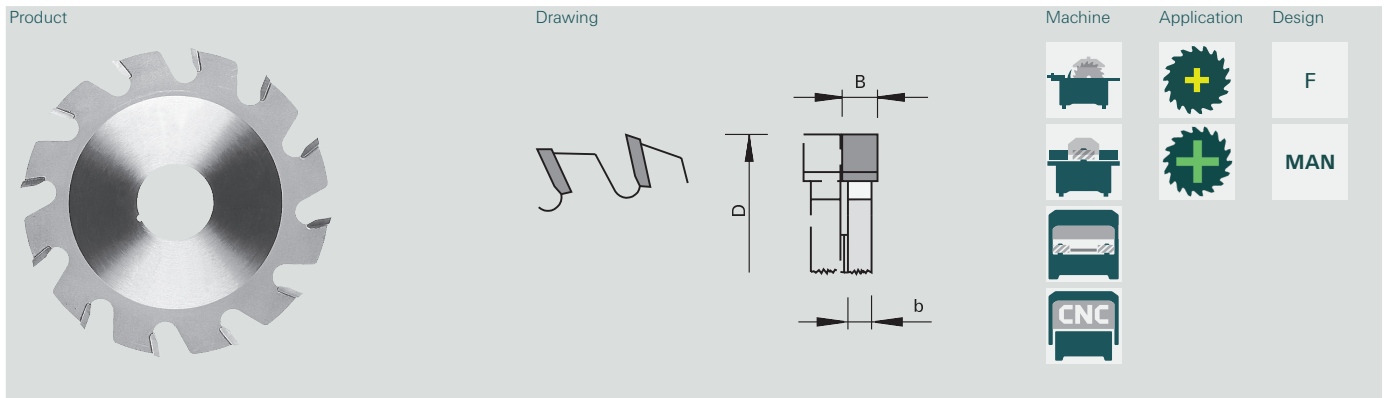


HW 1101 Grooving Cutters



Machine / Application	Design	Advantages	Notes
<ul style="list-style-type: none"> • table shapers • for chip-free grooving in solid woods and in wood-based panels 	<ul style="list-style-type: none"> • tooth configuration: flat "F" • cutting material: HW 		<ul style="list-style-type: none"> • application against feed with the grain (solid wood) • application with feed only with MEC (wood-based panels) • other grooving widths possible by set-combinations • groove width calculation for tool sets: sum of all "b" + HW overlap left and right + shim thickness

Product features							Order information		
$\varnothing D$ [mm]	B [mm]	b [mm]	$\varnothing d$ [mm]	Z		nmin-nmax [min-1]	PU [pc.]	L	Order-No.
125	1,5	0,8	30	12	MAN	6100-10500	1		50188359
125	1,8	1,0	30	12	MAN	6100-10500	1		50188360
125	2,0	1,2	30	12	MAN	6100-10500	1		50188361
125	2,2	1,2	30	12	MAN	6100-10500	1		50188362
125	2,5	1,4	30	12	MAN	6100-10500	1		50188363
125	3,0	2,0	30	12	MAN	6100-10500	1		50188364
125	3,5	2,5	30	12	MAN	6100-10500	1		50188365
125	4,0	2,5	30	12	MAN	6100-10500	1		50188366
125	4,5	3,0	30	12	MAN	6100-10500	1		50188367
125	5,0	4,0	30	12	MAN	6100-10500	1		50188368
125	6,0	4,0	30	12	MAN	6100-10500	1		50188369
125	7,0	5,0	30	12	MAN	6100-10500	1		50188370
125	8,0	5,0	30	12	MAN	6100-10500	1		50188371
125	10	6,0	30	12	MAN	6100-10500	1		50188372
150	1,5	0,8	30	12	MAN	5200-8800	1		50188373
150	2,0	1,2	30	12	MAN	5200-8800	1		50188375
150	2,2	1,2	30	12	MAN	5200-8800	1		50188376
150	2,5	1,5	30	12	MAN	5200-8800	1		50188377
150	3,0	2,0	30	12	MAN	5200-8800	1		50188378
150	3,5	2,5	30	12	MAN	5200-8800	1		50188379
150	4,0	3,0	30	12	MAN	5200-8800	1		50188380
150	4,5	3,5	30	12	MAN	5200-8800	1		50188381
150	5,0	4,0	30	12	MAN	5200-8800	1		50188382
150	6,0	4,0	30	12	MAN	5200-8800	1		50188383
150	7,0	5,0	30	12	MAN	5200-8800	1		50188384
150	8,0	5,0	30	12	MAN	5200-8800	1		50188385
150	9,0	6,0	30	12	MAN	5200-8800	1		50188386
150	10	6,0	30	12	MAN	5200-8800	1		50188387

Wood