
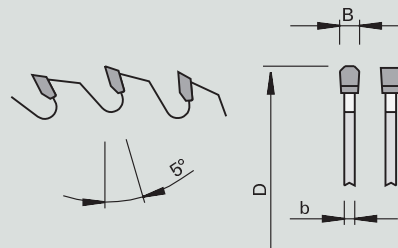





HW **NF - positive**
NF-Chop Saw Blades HW - positive hook angle triple chip / flat

<p>Product</p> 	<p>Drawing</p> 	<p>Machine</p> 	<p>Application</p> 	<p>Design</p> <p>TR-F</p> <p>3-0-1</p> <p>2-0-6</p> 
--	---	--	--	---

- | Machine / Application | Design | Advantages | Notes |
|---|---|---|---|
| <ul style="list-style-type: none"> • table saws • clipping and miter saws • for dividing and miter cuts in aluminum and plastic profiles, aluminum sheets on machines with workpiece clamping as well as wood-based panels (Corian, Noblan, Varicor and HPL) | <ul style="list-style-type: none"> • positive hook angle • tooth configuration: triple chip / flat "TR-F" • quality 3-0-1 from Ø 400 upwards • cutting material: HW TCm10 from Ø 400 TC06 | <ul style="list-style-type: none"> • noise-reduction thanks to laser ornaments | <ul style="list-style-type: none"> • tight workpiece clamping required |

Product features									Order information		
Ø D [mm]	B [mm]	b [mm]	Ø d [mm]	Z	Cutting quality*	NL**	Hook angle [°]	Cutting material	PU [pc.]	L	Order-No.
250	3,2	2,5	30	80	▲▲	Combi3	5	TC10	1		58808102
300	3,2	2,5	30	72	▲▲	Combi3	5	TC10	1		58808104
300	3,2	2,5	30	96	▲▲▲	Combi3	5	TC10	1		58808107
300	3,2	2,5	32	96	▲▲▲	4/12/64 + Combi3	5	TC10	1	o	58808125
350	3,2	2,5	30	108	▲▲▲	Combi3	5	TC10	1		58808111
400	3,8	3,2	30	96	▲▲	Combi3	5	TC06	1		58808113
420	3,8	3,2	30	96	▲▲	Combi3	5	TC06	1		58808115
450	3,8	3,2	40	108	▲▲▲	4/12/64 + 2/10/60	5	TC06	1		58808117
500	4,0	3,4	30	120	▲▲▲	4/12/64 + 2/10/60	5	TC06	1		58808118

* cutting quality: ▲ very rough cut ▲▲ rough cut, ▲▲▲ fine cut ▲▲▲▲ very fine cut
 ** pin holes: **Combi1** matches 2/10/60 and 2/7/42 **Combi3** matches 2/10/60 and 2/9/46 and 2/9,5/46,5 and 2/7/42
 For suitable **reducing rings** see chapter CONSTRUCTION/Saws/Reducing Rings