
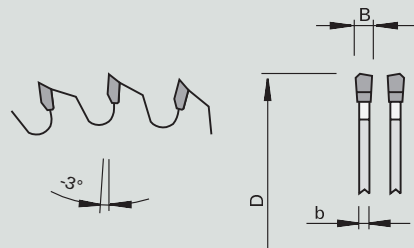






HW

## KKS - plastic

Chop Saw Blades HW for plastic profiles - alternate top bevel with chamfer

Product	Drawing	Machine	Application	Design
		 		WS-FA  2-0-6 


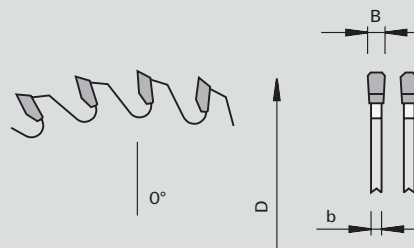




Machine / Application	Design	Advantages	Notes
<ul style="list-style-type: none"> <li>clipping and miter saws</li> <li>table saws</li> <li>for dividing and miter cuts in plastic profiles made from PVC, acrylics, plexiglass, thermosetting plastics, PE, PA, PU, etc.</li> </ul>	<ul style="list-style-type: none"> <li>tooth configuration: alternate top bevel - with chamfer "WS-FA"</li> <li>cutting material: HW TC10 from Ø 250 TC06</li> </ul>	<ul style="list-style-type: none"> <li>noise-reduction thanks to laser ornaments</li> </ul>	

Product features										Order information		
Ø D [mm]	B [mm]	b [mm]	Ø d [mm]	Z	Cutting quality*	NL**	Hook angle [°]	Cutting material	PU [pc.]	L	Order-No.	
160	2,2	1,6	20	48	▲▲		-3	TC10	1		58116000	
190	2,2	1,6	30	54	▲▲		-3	TC10	1		58116001	
216	2,8	2,2	30	60	▲▲		-3	TC10	1		58116002	
232	2,8	2,2	30	72	▲▲		-3	TC10	1		58116003	
250	2,8	2,2	30	80	▲▲▲	Combi3	-3	TC06	1		50808500	
300	2,8	2,2	30	96	▲▲▲	Combi3	-3	TC06	1		50808501	
350	2,8	2,2	30	100	▲▲▲	Combi3	-3	TC06	1		50808502	

HW

## KKS - hard plastic

Chop Saw Blades HW for extremely hard plastic profiles - triple chip / flat with two-sided chamfer

Product	Drawing	Machine	Application	Design
		 	 	TR-F-FA  3-0-1  HW TC06

Machine / Application	Design	Advantages	Notes
<ul style="list-style-type: none"> <li>table saws</li> <li>for dividing and miter cuts in plastic profiles made from Corian, Varicor, Trespa, laminate, etc.</li> </ul>	<ul style="list-style-type: none"> <li>tooth configuration: triple chip / flat with two-sided chamfer "TR-F-FA"</li> <li>cutting material: HW TC06</li> </ul>	<ul style="list-style-type: none"> <li>noise-reduction thanks to laser ornaments</li> </ul>	

Product features										Order information		
Ø D [mm]	B [mm]	b [mm]	Ø d [mm]	Z	Cutting quality*	NL**	Hook angle [°]	PU [pc.]	L	Order-No.		
250	3,2	2,5	30	72	▲▲▲	Combi3	0	1		50808600		
300	3,2	2,5	30	84	▲▲▲	Combi3	0	1		50808601		

\* cutting quality: ▲ very rough cut ▲▲ rough cut, ▲▲▲ fine cut ▲▲▲▲ very fine cut

\*\* pin holes: Combi1 matches 2/10/60 and 2/7/42 Combi3 matches 2/10/60 and 2/9/46 and 2/9,5/46,5 and 2/7/42

For suitable reducing rings see chapter CONSTRUCTION/Saws/Reducing Rings