
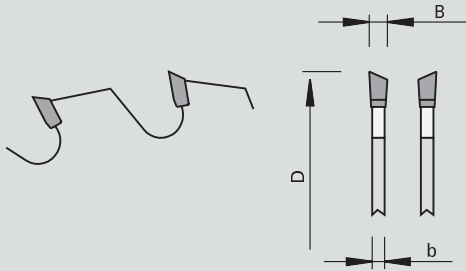




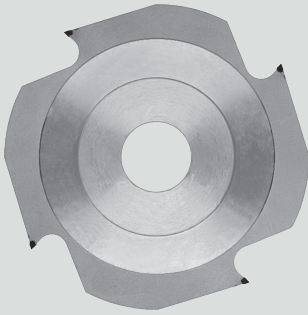
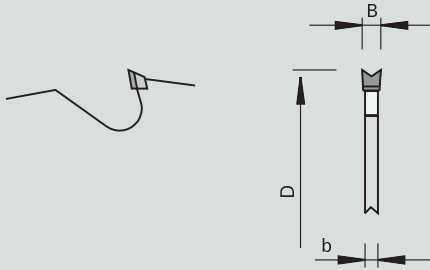


HW 1103L Grooving Cutters - for Lamello®

Product	Drawing	Machine	Application	Design
				<div style="border: 1px solid black; padding: 2px; width: fit-content;">WS</div> <div style="border: 1px solid black; padding: 2px; width: fit-content;">HW TC10</div>

Machine / Application	Design	Advantages	Notes
<ul style="list-style-type: none"> machines Lamello®, ELU for chip-free grooving of Lamello® wood joints in solid woods and in wood-based panels 	<ul style="list-style-type: none"> tooth configuration: alternate top bevel "WS" cutting material: HW TC10 		<ul style="list-style-type: none"> application against feed with and across the grain

Product features							Order information			
Ø D [mm]	B [mm]	b [mm]	Ø d [mm]	Z	NL**	nmin-nmax [min-1]		PU [pc.]	L	Order-No.
100	4,0	3,45	22	6	4/4,5/36	7600-13000	Lamello®	1		50660300
100	3,97	2,8	22	12		7500-13100	Lamello®	1		50110178
102	3,85	3,0	22	12		7500-13100	ELU DS 140	1		50660301

DP 3013L Grooving Cutters - for Lamello®

Product	Drawing	Machine	Application	Design
				

Machine / Application	Design	Advantages	Notes
<ul style="list-style-type: none"> machines Lamello® for chip-free grooving of Lamello® wood joints in solid woods and in wood-based panels 	<ul style="list-style-type: none"> reduced resharpening area tooth configuration: concave n = 7,700 - 13,300 min-1 		<ul style="list-style-type: none"> application against feed with and across the grain can be used on CNC machines as a grooving cutter

Product features							Order information			
Ø D [mm]	B [mm]	b [mm]	Ø d [mm]	Z			PU [pc.]	L	Order-No.	
100	3,95	4,0	22	4			1		50660302	

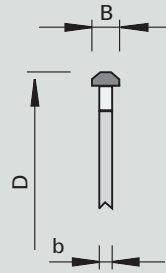
Panels

DP 3104L Grooving Cutters DP - for Lamello Clamex P®

Product



Drawing



Machine



Application



Design



Machine / Application

- CNC machining centers
- for chip-free grooving for Lamello Clamex P® joints in solid woods and wood-based panels

Design

- not resharpenable
- tooth configuration: specific
- n max = 15,200 min-1

Advantages

Notes

- application against feed with and across the grain
- can be used on CNC machines as a grooving cutter

Product features

Order information

Ø D [mm]	B [mm]	b [mm]	Ø d [mm]	Z		PU [pc.]	L	Order-No.
100.4	7,0	4	30	3	for Lamello Clamex P®	1		50660346 NEW
100.4	7,0	4	22	3	for Lamello Clamex P®	1		50660347 NEW