
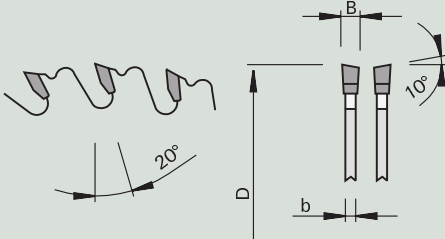




**HW**

**Planet**

Gang-Rip Saw Blades HW with internal HW-rakers - alternate bevel tooth

Product	Drawing	Machine	Application	Design
				WS 3-0-1 HW <b>TC20</b>


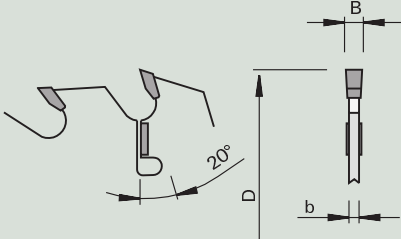


Machine / Application	Design	Advantages	Notes
<ul style="list-style-type: none"> <li>• table saws</li> <li>• length cutting saws</li> <li>• for ripping and cross cuts in wet and dry solid woods</li> </ul>	<ul style="list-style-type: none"> <li>• tooth configuration: alternate top bevel "WS"</li> <li>• cutting material: HW TC20</li> <li>• 4 internal spurs HW</li> </ul>	<ul style="list-style-type: none"> <li>• tungsten carbide rakers prevent the sides of the wood from making contact with the steel plate</li> <li>• chip limiter design for universal application</li> </ul>	<ul style="list-style-type: none"> <li>• suitable for manual feed</li> <li>• from now on with reinforced tool body and larger cutting width</li> </ul>

Product features								Order information		
Ø D [mm]	B [mm]	b [mm]	Ø d [mm]	Z	Cutting quality* NL**	Number of rakers [pc.]	PU [pc.]	L	Order-No.	
350	3,8	2,5	30	24	▲	Combi2	2+2	1	50804422	
400	4,2	2,5	30	28	▲	Combi2	2+2	1	50804423	
450	4,2	3,0	30	36	▲	Combi2	2+2	1	50804425	

**HW**

**LWR**

Gang-Rip Saw Blades HW with HW-rakers - flat tooth

Product	Drawing	Machine	Application	Design
				F 3-0-1 HW <b>TC25</b>

Machine / Application	Design	Advantages	Notes
<ul style="list-style-type: none"> <li>• gang-rip saws with one or two shafts</li> <li>• for longitudinal cuts in wet and dry soft woods</li> </ul>	<ul style="list-style-type: none"> <li>• tooth configuration: flat "F"</li> <li>• cutting material: HW TC25</li> </ul>	<ul style="list-style-type: none"> <li>• tungsten carbide rakers prevent the sides of the wood from making contact with the steel plate</li> </ul>	<ul style="list-style-type: none"> <li>• for cutting height &gt; 50 mm</li> </ul>

Product features								Order information		
Ø D [mm]	B [mm]	b [mm]	Ø d [mm]	Z	Cutting quality* DKN [mm]	Number of rakers [pc.]	PU [pc.]	L	Order-No.	
250	3,2	2,2	70	20	▲	2 x 20x5	2+2	1	50457841	
300	3,4	2,2	70	22	▲	2 x 20x5	2+2	1	50100525	
350	3,6	2,5	70	20	▲	2 x 20x5	2+2	1	50100528	
350	3,6	2,4	70	28	▲	2 x 20x5	2+2	1	50457843	

\* cutting quality: ▲ very rough cut ▲▲ rough cut, ▲▲▲ fine cut ▲▲▲▲ very fine cut  
 \*\* pin holes: Combi1 matches 2/10/60 and 2/7/42 Combi3 matches 2/10/60 and 2/9/46 and 2/9,5/46,5 and 2/7/42  
 For suitable reducing rings see chapter Saws /Accessories/Reducing Rings

Wood