
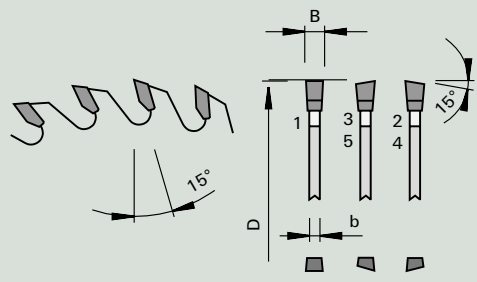


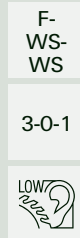


HW

## Matador 5

Sizing Saw Blades HW - flat-ATB-ATB

Product	Drawing	Machine	Application	Design
				

Machine / Application	Design	Advantages	Notes
<ul style="list-style-type: none"> <li>• table saws</li> <li>• clipping and miter saws</li> <li>• for chip-free sizing cuts as well as clipping and miter cuts in wood-based panels, solid woods and plastics</li> </ul>	<ul style="list-style-type: none"> <li>• tooth configuration: flat - ATB - ATB "F-WS-WS"</li> <li>• cutting material: HW TC03</li> </ul>	<ul style="list-style-type: none"> <li>• excellent cutting quality for cross cuts</li> <li>• excellent cutting quality thanks to special tooth geometry</li> <li>• extremely long edge lives</li> <li>• noise-reduction thanks to laser ornaments</li> </ul>	<ul style="list-style-type: none"> <li>• pay attention to nmax!!!</li> </ul>

Product features								Order information		
Ø D [mm]	B [mm]	b [mm]	Ø d [mm]	Z	Cutting quality*	NL**	Hook angle [°]	PU [pc.]	L	Order-No.
180	3,0	2,2	30	60	▲▲▲▲	4/6/52	15	1		58808701
200	3,0	2,2	30	65	▲▲▲▲	2/6,2/42 + 4/6/52 + 4/6,6/60	15	1	⊗	58808702
220	3,0	2,2	30	70	▲▲▲▲	8/6/52	15	1	⊗	58808712
220	3,0	2,2	40	70	▲▲▲▲	8/6/52	15	1	⊗	58808703
240	3,0	2,2	30	75	▲▲▲▲	8/6/52	15	1	⊗	58808704
250	3,0	2,2	30	80	▲▲▲▲	Combi3	15	1		58808706
280	3,0	2,2	30	85	▲▲▲▲	2/6,2/42 + 4/6/52 + 4/6,6/60	15	1	⊗	58808705
300	3,0	2,2	30	100	▲▲▲▲	Combi3	15	1		58808708
303	3,2	2,2	30	100	▲▲▲▲	Combi3	15	1		58808707
350	3,0	2,2	30	100	▲▲▲▲	Combi3	15	1		58808709
500	3,6	2,8	30	145	▲▲▲▲	Combi3	15	1		58808710
550	4,0	3,2	30	160	▲▲▲▲	Combi3	15	1		58808711

\* cutting quality: ▲ very rough cut ▲▲ rough cut, ▲▲▲ fine cut ▲▲▲▲ very fine cut

\*\* pin holes: Combi1 matches 2/10/60 and 2/7/42 Combi3 matches 2/10/60 and 2/9/46 and 2/9,5/46,5 and 2/7/42

For suitable reducing rings see chapter CONSTRUCTION/Saws/Reducing Rings