
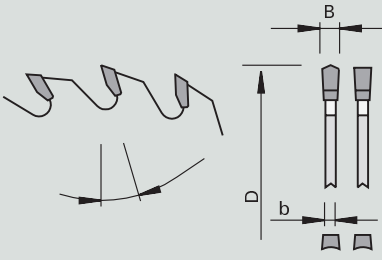























**HW** **KDF - Industry - negative**  
Sizing Saw Blades HW - inverted-v / flat tooth / hollow-ground tooth

<p>Product</p> 	<p>Drawing</p> 	<table border="1"> <tr> <td data-bbox="1117 230 1228 347">Machine</td> <td data-bbox="1228 230 1348 347">Application</td> <td data-bbox="1348 230 1476 347">Design</td> </tr> <tr> <td></td> <td></td> <td>DA-F DU</td> </tr> <tr> <td></td> <td></td> <td>3-0-1</td> </tr> <tr> <td></td> <td></td> <td></td> </tr> <tr> <td colspan="2"></td> <td>HW TC06</td> </tr> </table>	Machine	Application	Design			DA-F DU			3-0-1						HW TC06
Machine	Application	Design															
		DA-F DU															
		3-0-1															
																	
		HW TC06															

<p>Machine / Application</p> <ul style="list-style-type: none"> <li>• clipping and miter saws</li> <li>• table saws</li> <li>• vertical panel sizing saws</li> <li>• for sizing cuts in plastic and solid wood profile ledges</li> </ul>	<p>Design</p> <ul style="list-style-type: none"> <li>• vibration and noise damping ornaments</li> <li>• additional expansion slots</li> <li>• tooth configuration: inverted-v / flat tooth / hollow-ground tooth "DA-F DU"</li> <li>• cutting material: HW TC06</li> </ul>	<p>Advantages</p> <ul style="list-style-type: none"> <li>• extremely low-noise and smooth running thanks to vibration and noise damping ornaments as well as special expansion slot combinations</li> <li>• good quality of bottom edge even without scoring saw blade</li> <li>• excellent cutting quality</li> </ul>	<p>Notes</p>
--	--	--	--------------

Product features						Order information				
Ø D [mm]	B [mm]	b [mm]	Ø d [mm]	Z	Cutting quality* NL**	Hook angle [°]		PU [pc.]	L	Order-No.
250	3,2	2,2	30	48	▲▲▲	Combi3	-5	1		58804352
303	3,2	2,2	30	60	▲▲▲▲	Combi3	-5	1		58804279

\* cutting quality: ▲ very rough cut ▲▲ rough cut, ▲▲▲ fine cut ▲▲▲▲ very fine cut  
 \*\* pin holes: **Combi1** matches 2/10/60 and 2/7/42 **Combi3** matches 2/10/60 and 2/9/46 and 2/9,5/46,5 and 2/7/42  
 For suitable **reducing rings** see chapter CONSTRUCTION/Saws/Reducing Rings

HW

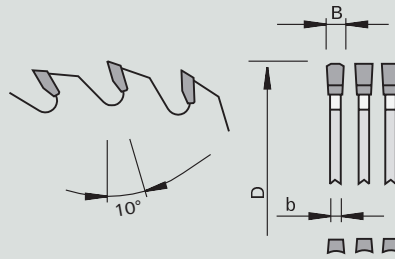
## KDF - Industry Professionell

Sizing Saw Blades HW -triple chip / flat - flat / hollow-ground tooth

Product



Drawing



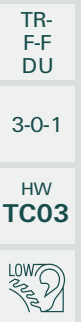
Machine



Application



Design



Machine / Application

- table saws
- vertical panel sizing saws
- for sizing cuts in raw and laminated panels

Design

- vibration and noise damping ornaments
- additional expansion slots
- tooth configuration: triple chip / flat - flat / hollow-ground tooth "TR-F-F DU"
- cutting material: HW TC03

Advantages

- extremely low-noise and smooth running thanks to vibration and noise damping ornaments as well as special expansion slot combinations
- good quality of bottom edge even without scoring saw blade
- optimum cutting quality thanks to innovative tooth group configuration

Notes

Product features

Order information

Ø D [mm]	B [mm]	b [mm]	Ø d [mm]	Z	Cutting quality*	NL**	Hook angle [°]	PU [pc.]	L	Order-No.
303	3,2	2,2	30	60	▲▲▲▲	Combi3	10	1	#	58804356
303	3,5	2,5	30	60	▲▲▲▲	Combi3	10	1		58804282

\* cutting quality: ▲ very rough cut ▲▲ rough cut, ▲▲▲ fine cut ▲▲▲▲ very fine cut

\*\* pin holes: Combi1 matches 2/10/60 and 2/7/42 Combi3 matches 2/10/60 and 2/9/46 and 2/9,5/46,5 and 2/7/42

For suitable reducing rings see chapter CONSTRUCTION/Saws/Reducing Rings