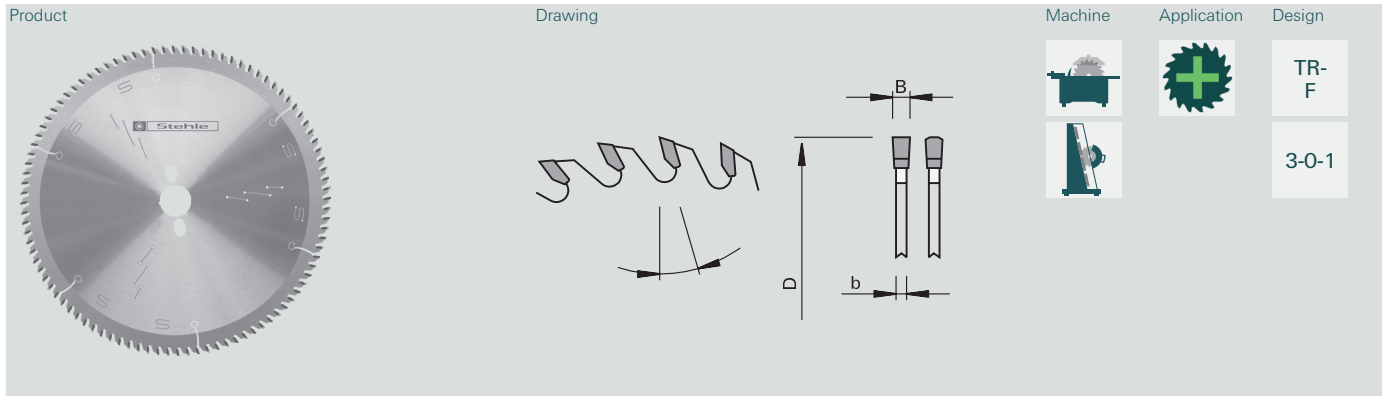


HW

TRF - 1

Sizing Saw Blades HW - triple chip / flat



Machine / Application	Design	Advantages	Notes
<ul style="list-style-type: none"> • table saws • vertical panel sizing saws • for sizing cuts in plastic-laminated panels 	<ul style="list-style-type: none"> • tooth configuration: triple chip / flat "TR-F" • cutting material: HW TC03 	<ul style="list-style-type: none"> • improved cutting quality thanks to optimized cutting geometry • noise-reduction thanks to laser ornaments 	<ul style="list-style-type: none"> • especially for plastic-laminated wood-based panels and high-pressure laminated boards

Product features								Order information		
Ø D [mm]	B [mm]	b [mm]	Ø d [mm]	Z	Cutting quality*	NL**	Hook angle [°]	PU [pc.]	L	Order-No.
315	3,2	2,2	30	96	▲▲▲	Combi3	5	1		58803823
300	3,2	2,2	30	96	▲▲▲	Combi3	5	1		58458788
350	3,5	2,5	30	72	▲▲	Combi3	10	1		58807830
350	3,5	2,5	30	108	▲▲▲	Combi3	10	1		58807831

* cutting quality: ▲ very rough cut ▲▲ rough cut, ▲▲▲ fine cut ▲▲▲▲ very fine cut

** pin holes: Combi1 matches 2/10/60 and 2/7/42 Combi3 matches 2/10/60 and 2/9/46 and 2/9,5/46,5 and 2/7/42

For suitable reducing rings see chapter CONSTRUCTION/Saws/Reducing Rings