
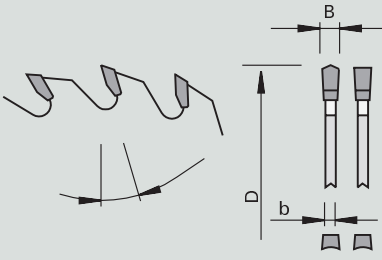






HW

KDF - Industry

Sizing Saw Blades HW - inverted-v / flat tooth / hollow-ground tooth

<p>Product</p> 	<p>Drawing</p> 	<p>Machine</p>  	<p>Application</p>  	<p>Design</p> <p>DA-F DU</p> <p>3-0-1</p> <p>HW TC06</p>
--	---	--	--	--

<p>Machine / Application</p> <ul style="list-style-type: none"> • table saws • vertical panel sizing saws • for sizing cuts in raw and laminated panels 	<p>Design</p> <ul style="list-style-type: none"> • vibration and noise damping ornaments • additional expansion slots • tooth configuration: inverted-v / flat tooth / hollow-ground tooth "DA-F DU" • cutting material: HW TC06 	<p>Advantages</p> <ul style="list-style-type: none"> • extremely low-noise and smooth running thanks to vibration and noise damping ornaments as well as special expansion slot combinations • good quality of bottom edge even without scoring saw blade • excellent cutting quality 	<p>Notes</p>
--	--	--	--------------

Product features					Order information					
Ø D [mm]	B [mm]	b [mm]	Ø d [mm]	Z	Cutting quality* NL**		Hook angle [°]	PU [pc.]	L	Order-No.
220	3,2	2,2	30	42	▲▲	2/7/42	10	1		58804281
250	3,2	2,2	30	48	▲▲	Combi3	10	1		58804351
303	3,2	2,2	30	60	▲▲▲▲	Combi3	10	1		58804353
350	3,5	2,5	30	72	▲▲▲▲	Combi3	10	1		58804280

* cutting quality: ▲ very rough cut ▲▲ rough cut, ▲▲▲ fine cut ▲▲▲▲ very fine cut

** pin holes: Combi1 matches 2/10/60 and 2/7/42 Combi3 matches 2/10/60 and 2/9/46 and 2/9,5/46,5 and 2/7/42
For suitable reducing rings see chapter CONSTRUCTION/Saws/Reducing Rings

HW

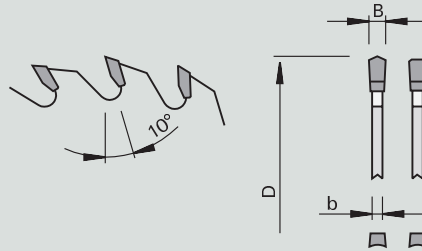
KDF - Industry Plus

Sizing Saw Blades HW - inverted-v / flat tooth with chamfer / hollow-ground tooth

Product



Drawing



Machine



Application



Design

DA-F-FA DU

3-0-1

LOW NOISE

LONG LIFE

Machine / Application

- table saws
- vertical panel sizing saws
- for sizing cuts in raw and laminated panels

Design

- vibration and noise damping ornaments
- additional expansion slots
- tooth configuration: inverted-v / flat tooth with chamfer / hollow-ground tooth "DA-F-FA DU"
- cutting material: HW TC06

Advantages

- extremely low-noise and smooth running thanks to vibration and noise damping ornaments as well as special expansion slot combinations
- good quality of bottom edge even without scoring saw blade
- reduced cutting pressure
- increased edge life
- improved cutting quality

Notes

Product features

Order information

Ø D [mm]	B [mm]	b [mm]	Ø d [mm]	Z	Cutting quality* NL**	Hook angle [°]	PU [pc.]	L	Order-No.
303	3,2	2,2	30	60	▲▲▲▲	Combi3	10	1	58804301

* cutting quality: ▲ very rough cut ▲▲ rough cut, ▲▲▲ fine cut ▲▲▲▲ very fine cut

** pin holes: Combi1 matches 2/10/60 and 2/7/42 Combi3 matches 2/10/60 and 2/9/46 and 2/9,5/46,5 and 2/7/42

For suitable reducing rings see chapter CONSTRUCTION/Saws/Reducing Rings