

HW

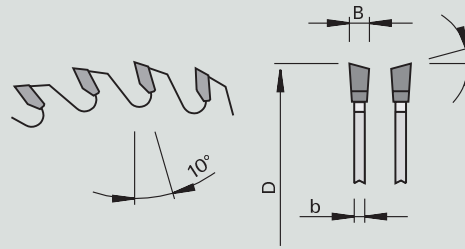
ZWS

Trimming and Finish Cut Saw Blades HW - alternate bevel

Product



Drawing



Machine



Application



Design

WS

2-0-6

HW  
TC06

Machine / Application

- table saws
- special machines
- for sizing cuts in wood-based panels

Design

- tooth configuration: alternate top bevel "WS"
- cutting material: HW TC06

Advantages

- optimum cutting quality, feed rate and adjustment for material thickness thanks to various numbers of teeth

Notes

- larger bore (max. Ø 50 mm) available for a surcharge

Product features

Order information

Ø D [mm]	B [mm]	b [mm]	Ø d [mm]	Z	Cutting quality* NL**	Hook angle [°]	PU [pc.]	L	Order-No.
150	3,2	2,2	30	36	▲▲	2/7/42	10	1	58100099
150	3,2	2,2	30	48	▲▲▲	2/7/42	10	1	58100101
180	3,2	2,2	30	54	▲▲▲	2/7/42	10	1	58100015
200	3,2	2,2	30	48	▲▲▲	2/7/42	10	1	58100091
200	3,2	2,2	30	64	▲▲▲	2/7/42	10	1	58100025
235	2,8	1,8	30	36	▲▲▲	2/7/42	15	1	50110117
235	2,8	1,8	30	48	▲▲▲▲	2/7/42	15	1	58110121
235	2,8	1,8	30	64	▲▲▲▲	2/7/42	10	1	58110118
235	3,2	2,2	30	34	▲▲		10	1	o 50100193
240	2,8	1,8	30	36	▲▲▲	2/7/42	15	1	50110123
240	2,8	1,8	30	48	▲▲▲▲	2/7/42	15	1	50110124
250	3,2	2,2	30	40	▲▲▲	Combi3	10	1	58100018
250	3,2	2,2	30	48	▲▲▲▲	Combi3	10	1	58100026
250	3,2	2,2	30	60	▲▲▲▲	Combi3	10	1	58100031
250	3,2	2,2	30	80	▲▲▲▲	Combi3	10	1	58100038
254	3,1	2,2	30	40	▲▲▲		10	1	58114108
254	3,2	2,2	30	40	▲▲▲	Combi3	10	1	58120067
254	3,2	2,2	30	60	▲▲▲▲	Combi3	10	1	58120068
260	3,2	2,2	30	40	▲▲▲	Combi3	10	1	58110175
260	3,2	2,2	30	60	▲▲▲▲	Combi3	10	1	58100254
270	3,2	2,2	30	42	▲▲▲		10	1	o 50110064
270	3,2	2,2	30	60	▲▲▲▲	Combi3	10	1	58110182
280	3,2	2,2	30	48	▲▲▲▲	Combi3	10	1	58110136
300	3,2	2,2	30	48	▲	Combi3	10	1	58100250
300	3,2	2,2	30	60	▲▲	Combi3	10	1	58100027
300	3,2	2,2	30	72	▲▲	Combi3	10	1	58100032
300	3,2	2,2	30	96	▲▲▲	Combi3	10	1	58100251
305	3,2	2,2	30	48	▲	Combi3	10	1	58120065
305	3,2	2,2	30	60	▲▲	Combi3	10	1	58120066
315	3,2	2,2	30	48	▲	Combi3	10	1	58100252
315	3,2	2,2	30	60	▲▲	Combi3	10	1	58100253
350	3,5	2,5	30	54	▲▲	Combi3	10	1	58100021
350	3,5	2,5	30	72	▲▲	Combi3	10	1	58100028
350	3,5	2,5	30	84	▲▲	Combi3	10	1	58100033
350	3,5	2,5	30	108	▲▲▲	Combi3	10	1	58100040
400	3,5	2,5	30	60	▲▲	Combi3	10	1	58100022
400	3,5	2,5	30	84	▲▲▲	Combi3	10	1	58100029
400	3,5	2,5	30	96	▲▲▲	Combi3	10	1	58100034
400	3,5	2,5	30	120	▲▲▲	Combi3	10	1	58100041

\* cutting quality: ▲ very rough cut ▲▲ rough cut, ▲▲▲ fine cut ▲▲▲▲ very fine cut

\*\* pin holes: Combi1 matches 2/10/60 and 2/7/42 Combi3 matches 2/10/60 and 2/9/46 and 2/9,5/46,5 and 2/7/42


For suitable reducing rings see chapter CONSTRUCTION/Saws/Reducing Rings

Product features							Order information			
Ø D [mm]	B [mm]	b [mm]	Ø d [mm]	Z	Cutting quality* NL**	Hook angle [°]		PU [pc.]	L	Order-No.
450	3,8	2,8	30	66	▲▲	Combi3	10	1		58100023
450	3,8	2,8	30	108	▲▲▲	Combi3	10	1		58100060
500	3,8	2,8	30	72	▲▲	Combi3	10	1		58100024
550	4,0	3,0	30	64	▲	Combi3	10	1		58120070

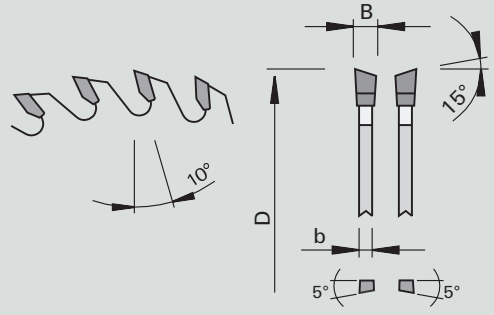
## HW ZWS-1

Trimming and finish cut saw blades HW - alternate top bevel with shear angle


Product




Drawing



Machine



Application



Design

WSA

3-0-1

HW TC06

LOW NOISE

Machine / Application	Design	Advantages	Notes
<ul style="list-style-type: none"> <li>• table saws</li> <li>• special machines</li> <li>• for sizing cuts in wood-based panels</li> </ul>	<ul style="list-style-type: none"> <li>• tooth configuration: alternate top bevel with shear angle "WSA"</li> <li>• cutting material: HW TC06</li> </ul>	<ul style="list-style-type: none"> <li>• optimum cutting quality, feed rate and adjustment for material thickness thanks to various numbers of teeth</li> <li>• reduced cutting pressure thanks to alternating shear angle</li> <li>• long edge lives provide for the necessary productivity and economic efficiency</li> </ul>	<ul style="list-style-type: none"> <li>• larger bore (max. Ø 50 mm) available for a surcharge</li> </ul>

Product features							Order information			
Ø D [mm]	B [mm]	b [mm]	Ø d [mm]	Z	Cutting quality* NL**	Hook angle [°]		PU [pc.]	L	Order-No.
250	3,2	2,2	30	40	▲▲	Combi3	10	1		58100700
250	3,2	2,2	30	60	▲▲▲	Combi3	10	1		58100701
300	3,2	2,2	30	48	▲▲	Combi3	10	1		58100702
300	3,2	2,2	30	96	▲▲▲▲	Combi3	10	1		58100703
350	3,5	2,5	30	54	▲▲	Combi3	10	1		58100704

Wood

\* cutting quality: ▲ very rough cut ▲▲ rough cut, ▲▲▲ fine cut ▲▲▲▲ very fine cut  
 \*\* pin holes: Combi1 matches 2/10/60 and 2/7/42 Combi3 matches 2/10/60 and 2/9/46 and 2/9,5/46,5 and 2/7/42  
 For suitable reducing rings see chapter CONSTRUCTION/Saws/Reducing Rings